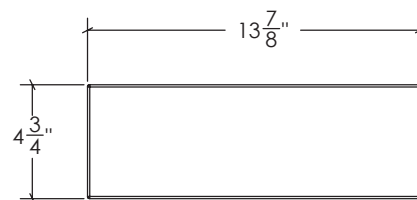
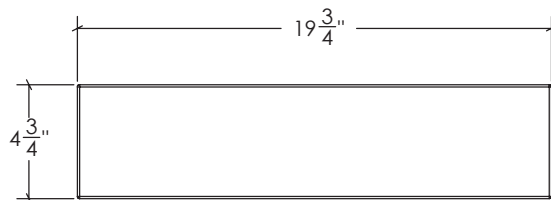
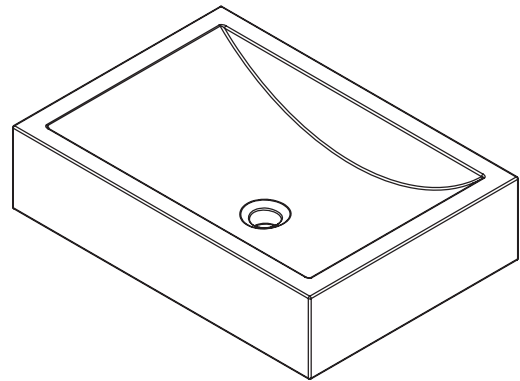
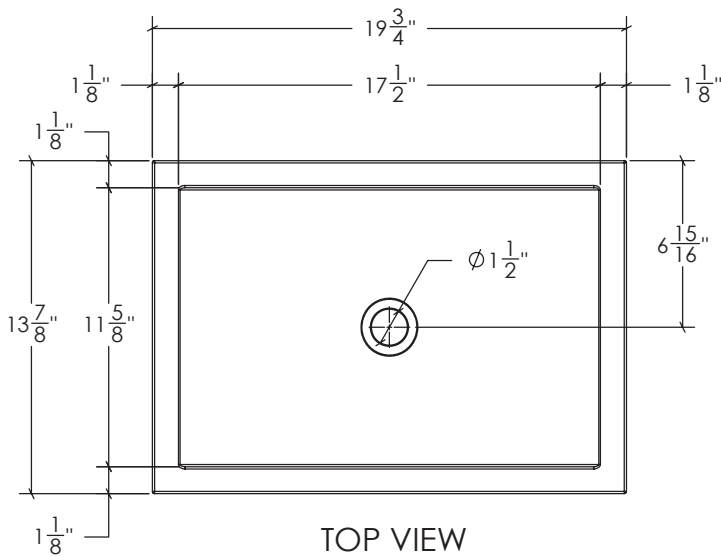


# RS-019

**FEATURES:**

- \* Sink Size: 19 3/4" x 13 7/8" x 4 3/4"
- \* Material: Granite
- \* Counter Top Sink
- \* Recommended Drain: DS-003
- \* For Use With Standard Pop Up Drain
- \* Warranty: One Year Limited Warranty



## JOB INFORMATION:

Job Name \_\_\_\_\_  
 Date Specified \_\_\_\_\_  
 Contractor \_\_\_\_\_

\* Specifications and drawings provided on this sheet are for illustration only. Cantrio Concepts will not be held responsible for cutouts made without the actual product or product template.